

Stainless Steel-Retaining rods

for clamp mountings, cranked

SPECIFICATION

Stainless steel **NI**
AISI 304
blank

INFORMATION

The dimensions of GN 480.5 Stainless Steel-Retaining rods are tailored for use with clamp mountings.

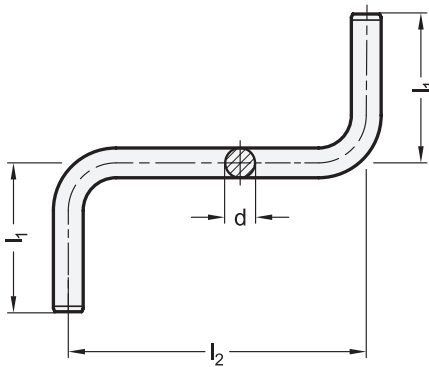
The cranked Stainless Steel-Retaining rods make it possible to create compact and space-saving clamp mounting structures efficiently and cost-effectively with few components.

AUF ANFRAGE

- other dimensions for l_1 and l_2

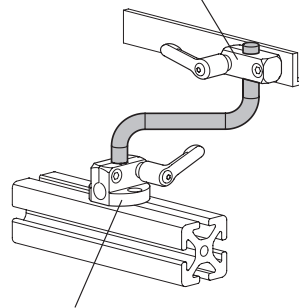
TECHINCAL INFORMATION

- Stainless Steel Characteristics (see page A26)



Application example

Clamp mounting GN 477



Foot clamp mounting GN 473

GN 480.5

| Description | d | l_1 | l_2 | |
|-------------------------|------|-------|-------|-----|
| GN 480.5-D8-30-60-NI | D 8 | 30 | 60 | 42 |
| GN 480.5-D8-50-100-NI | D 8 | 50 | 100 | 74 |
| GN 480.5-D8-80-160-NI | D 8 | 80 | 160 | 125 |
| GN 480.5-D10-50-100-NI | D 10 | 50 | 100 | 113 |
| GN 480.5-D10-70-140-NI | D 10 | 70 | 140 | 163 |
| GN 480.5-D10-100-200-NI | D 10 | 100 | 200 | 237 |